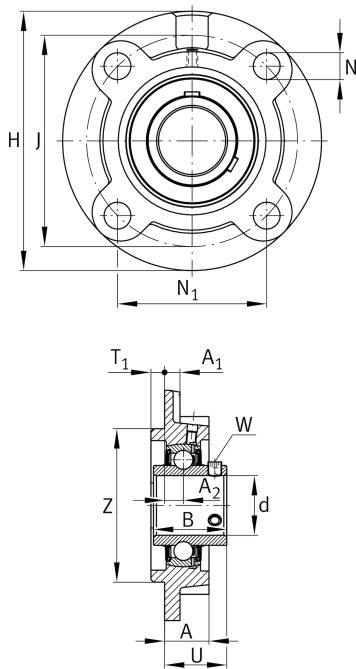


**FAG****UCFC206**

Flanged housing unit

Flanged housing unit UCFC

Technical information

**Your current product variant**

Material	GG	Grey cast iron
----------	----	----------------

Main Dimensions & Performance Data

d	30 mm	Bore diameter
H	125 mm	Height flange
U	32.2 mm	Total height unit
C _r	20,700 N	Basic dynamic load rating, radial
C _{0r}	11,300 N	Basic static load rating, radial
C _{ur}	590 N	Fatigue load limit, radial
≈m	1.252 kg	Weight

Mounting dimensions

J	100 mm	Pitch circle diameter (holes)
N	12 mm	Fixing bore
N ₁	70.7 mm	Distance fixing bore
T ₁	8 mm	Height spigot
Z	80 mm	Diameter spigot
	h8	Diameter spigot clearance
n	4	Number of screwing holes



Dimensions

A	23 mm	Height housing
A ₁	8 mm	Thickness of flange
A ₂	10 mm	Distance raceway
B	38.1 mm	Width
Q	M6	Connection thread for lubrication

Additional information

1	Number of housings
FC206	Housing
UC206	Bearing designation

Temperature range

T _{min}	-20 °C	Operating temperature min.
T _{max}	120 °C	Operating temperature max.